

AGK11 plug-in base  
with AGK65 cable gland holder

AGK11 plug-in base  
with AGK66 cable gland holder

## Connection Accessories for small Burner Controls

**AGK11...  
AGK65...  
AGK66**

**Accessories for connecting small-capacity burner controls to combustion plant.**

**The AGK11, AGK65, AGK66 and this Data Sheet are intended for use by OEMs which integrate the accessory items in their products.**

### Use

The AGK11, AGK65, and AGK66 are used with the following small-capacity burner controls and flame safeguards:

- LFS1
- LGA
- LGB
- LOA
- LME
- LMO

The AGK11 plug-in base is suited for use with the AGK65 cable gland holders or the AGK66.

## Supplementary documentation

Product type	Documentation type	Documentation number
LFS1	Data sheet	N7782
LGA	Data sheet	N7418
LGB	Data sheet	N7435
LME1 / LME2 / LME4	Data sheet	N7101
LME69	Data sheet	N7106
LMO14 / LMO24 / LMO44	Data sheet	N7130
LMO39	Data sheet	N7154
LMO64	Data sheet	N7138
LOA2 / LOA3	Data sheet	N7118

## Warning notes



**To avoid injury to persons, damage to property or the environment, the following warning notes must be observed!**

- All activities (mounting, installation and service work, etc.) must be performed by qualified staff
- Before making any wiring changes in the connection area, completely isolate the plant from mains supply (all-polar disconnection). Ensure that the plant cannot be inadvertently switched on again and that it is indeed dead. If not observed, there is a risk of electric shock hazard
- Ensure protection against electric shock hazard by providing adequate protection when mounting the burner control. If not observed, there will be a risk of electric shock.
- Each time work has been carried out (mounting, installation, service work, etc.), check to ensure that wiring is in an orderly state and make the safety checks. If not observed, the safety functions are no longer ensured and there will be a risk of electric shock

## Mounting notes

- Ensure that the relevant national safety regulations are complied with
- We recommend to connect the burner controls with a single-section terminal block (no risk of mixing up when reconnecting)
- Connect the earthing lug on the AGK11 plug-in base to the burner using a metric screw with a lockwasher or similar
- The cable and cable gland holders clip onto the AGK11 plug-in base

## Installation notes

- Do not mix up live and neutral conductors
- Decisive for the electrical connections of valves and other burner plant components are the plant diagram and the Mounting and Commissioning Instructions provided by the burner supplier
- To isolate the plant from the mains supply, use an all-polar switch with a contact gap of at least 3 mm
- To protect the burner control electrically, install a primary fuse
- To prevent wrong combinations of bases and burner controls, the AGK11.6 plug-in base may only be used in connection with burner controls featuring postpurging (e.g. LME39, LMO39, LMO64)

## Standards and certificates

---



Note

Only in connection with the small-capacity burner control or flame safeguard – see corresponding data sheet.



EAC conformity (Eurasian conformity)



ISO 9001:2015

ISO 14001:2015

OHSAS 18001:2007



China RoHS

Hazardous substances table:

<http://www.siemens.com/download?A6V10883536>

## Disposal notes

---

Both plug-in base and cable gland holders must not be disposed of together with household waste. Local and currently valid legislation must be observed.

## Mechanical design

---

AGK11 plug-in base	<ul style="list-style-type: none"><li>• <b>Use for phasing controlled burner controls</b></li><li>• Color Black</li><li>• Made of impact-proof and heat-resistant plastic</li><li>• Accommodates (in addition to the 12 connection terminals):<ul style="list-style-type: none"><li>- 3 neutral terminals, pre-wired to terminal 2, the neutral input</li><li>- 4 earth conductor terminals, joining in a lug for earthing the burner</li><li>- 2 auxiliary terminals marked «31» and «32»</li></ul></li><li>• With 2 holes in the baseplate of the AGK11 for cable entry</li><li>• Provided with catches on the 2 narrow sides which audibly engage when the burner control is plugged in</li><li>• To disengage, a screwdriver must be slightly tilted in the guiding slots</li><li>• Neutral and auxiliary terminals with self-tapping screws</li><li>• Connection terminals with self-locking screws</li><li>• Supplied with terminals open to facilitate mounting</li><li>• The burner control is secured to the burner with fixing screws M5</li></ul>
AGK11.6 plug-in base	<ul style="list-style-type: none"><li>• <b>Use for burner controls with continuous phase</b></li><li>• Color: Silver-grey RAL 9001</li><li>• Other specifications like AGK11</li></ul>
AGK11.7 plug-in base	<ul style="list-style-type: none"><li>• <b>Use for LFS1 flame safeguard</b></li><li>• Color: black</li><li>• With separating plate (D) for safe isolation</li><li>• With molded terminal chamber no. 8 for safe isolation</li><li>• Other design like AGK11</li></ul>
AGK65 cable gland holder	<ul style="list-style-type: none"><li>• Made of impact-proof and heat-resistant plastic</li><li>• Insertable into the AGK11 plug-in base</li><li>• With 5 threaded knockout holes for nonmetallic Pg11 cable glands</li><li>• 3 on the front and 1 on each of the other sides</li><li>• Removable</li></ul>
AGK65.1 cable gland holder	<ul style="list-style-type: none"><li>• Made of impact-proof and heat-resistant plastic</li><li>• Insertable into the AGK11 plug-in base</li><li>• With 5 threaded knockout holes for nonmetallic M16 x 1.5 cable glands</li><li>• 3 on the front and 1 on each of the other sides</li><li>• Removable</li></ul>
AGK66 cable holder	<ul style="list-style-type: none"><li>• Made of impact-proof and heat-resistant plastic</li><li>• Insertable into the AGK11 plug-in base</li><li>• With 6 knockout holes for cable entry, without cable strain relief</li><li>• 1 x 8.8 mm dia. and 1 x 17 mm dia. laterally, 3 x 7 mm dia. on the front, and 1 rectangular opening 6 x 20 mm on the front</li><li>• Can be used in place of the cable gland holder (refer to «Ordering»)</li></ul>

## Type summary

---

### Connection accessories for small-capacity burner controls

#### **AGK11** plug-in base

Article no.: **BPZ:AGK11**

- For connecting the small-capacity burner controls to the burner plant.
- For phase-controlled burner controls
- With 2 knockout holes in the baseplate
- Color: black



#### **AGK11.6** plug-in base

Article no.: **BPZ:AGK11.6**

- Gray plug-in base for connecting the LME39/LMO39 to the burner plant
- For burner controls with permanent phase
- With 2 knockout holes in the baseplate
- Color: RAL 9001 Silver grey



#### **AGK11.7** plug-in base

Article no.: **BPZ:AGK11.7**

- Plug-in base for connecting the LFS1 to the burner plant
- With 2 knockout holes in the baseplate
- With separating plate (D) and molded terminal chamber no. 8 for safe isolation
- Color: black



#### **AGK66** cable holder

Article no.: **BPZ:AGK66**

- Cable holder for AGK11 plug-in base
- With knockout holes



#### **AGK65** cable gland holder

Article no.: **BPZ:AGK65**

- Cable holder for AGK11 plug-in base
- Pg11



#### **AGK65.1** cable gland holder

Article no.: **BPZ:AGK65.1**

- Cable holder for AGK11 plug-in base
- M16 x 1,5

#### **'D'** separating plate for safe isolation

Material number 7411101350

- For operation with LFS1 with safe isolation
- Included in scope of delivery

## Technical data

General data	Weight	
	• AGK11 plug-in base	Approx. 80 g
	• AGK66 cable holder	Approx. 12 g
	• AGK65 cable gland holder	Approx. 12 g
	<hr/>	
Tightening torque	To DIN EN 60335-1	
• Cable with ferrules	0.5 Nm	
<hr/>		
Loosening torque	0.4 Nm	
<hr/>		
Cross sectional areas that can be connected to AGK11		
• Terminals 1...12	Min. 0.5 mm <sup>2</sup> Max. 1.5 mm <sup>2</sup> Solid or stranded wire with ferrule	
• Auxiliary terminals N, PE, 31 and 32	Min. 0.5 mm <sup>2</sup> Max. 1.5 mm <sup>2</sup> Solid or stranded wire with ferrule (if 2 wires are connected to the same terminal, they must have the same cross-sectional area)	
<hr/>		

## Environmental conditions



**Warning!**  
**Condensation, formation of ice and ingress of water are not permitted!**  
**If not observed, the safety functions are no longer ensured and there will be a risk of electric shock.**

## Climatic conditions

### Storage

Temperature range	-20 to +60°C
Humidity	< 95% r.h.

### Transport

Temperature range	-40 to +60°C
Humidity	< 95% r.h.

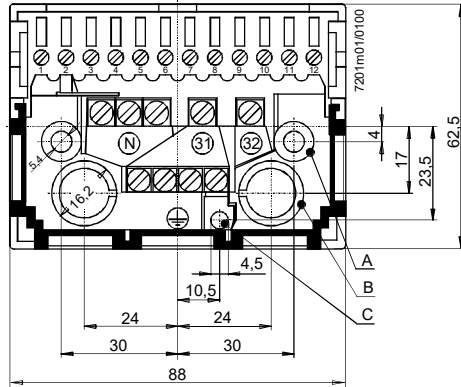
### Operation

Temperature range	-20 to +60°C
Humidity	< 95% r.h.
Installation altitude	Max. 2,000 m above sea level

**Dimensions**

Dimensions in mm

AGK11 plug-in base



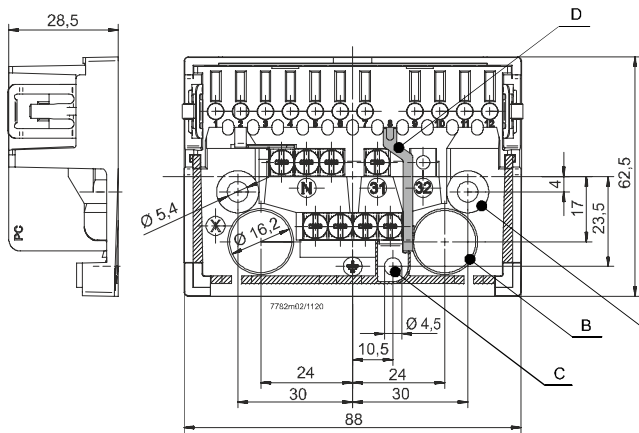
AGK11.7 plug-in base with screw terminals  
 «A»: Holes for fixing screws  
 «B»: Holes for cable entry  
 «C»: Earthing lug  
 «N»: Neutral terminals, connected to neutral input (terminal 2)  
 «31» and «32»: Auxiliary terminals

 → AGK11 / AGK65 7 plug-in base


Underneath:  
 4 earth conductor terminals, joining in a lug for earthing the burner

Hatched:  
 Position of AGK65... cable gland holder and AGK66 cable holder

AGK11.7 plug-in base with 'D' separating plate (for LFS1 only)





AGK11.7 plug-in base with screw terminals  
 'A': Holes for fixing screws  
 'B': Holes for cable entry  
 'C': Earthing lug  
 'D': Separating plate for safe isolation  
 'N': Neutral terminals connected to neutral input (terminal 2)  
 «31» and «32»: Auxiliary terminal

 → AGK11.7 plug-in base

Underneath:  
 4 earth conductor terminals, joining in a lug for earthing

Hatching:  
 Position of the AGK65 cable gland holder and AGK66 cable holder

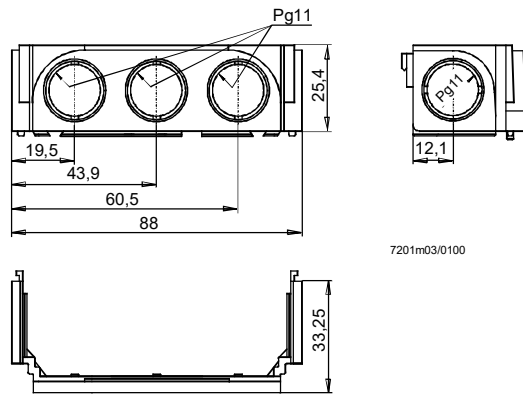
 **Note**  
 'D' separating plate for safe isolation!  
 The 'D' separating plate is included in the scope of delivery.

 **Attention!**  
 Connection of earthing lug «C» and fixing screw in «A» to the burner's ground (using a metric screw with a lockwasher or similar!)  
 If this is not observed, there is a risk of electric shock.

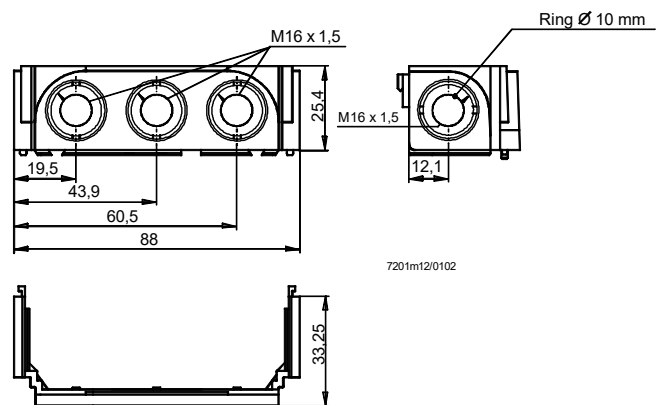
## Dimensions (continued)

Dimensions in mm

### AGK65 cable gland holder



### AGK65.1 cable gland holder



### AGK66 cable holder

