

## Nautilair®

18"; 380 VAC; 3Φ Combustion Blowers - Standard Output

**Model: 151817-70**

### MECHANICAL

**DIAMETER:** 18" (356mm)

**DISCHARGE TYPE:** Tangential

**DISCHARGE:** Large Flange

**APPROXIMATE WEIGHT:** 34lbs/15.4kg

### PERFORMANCE

**FLOW CLASSIFICATION:** Standard Output

**STAGES:** 1 Stage

### TEMPERATURE

**OPERATING TEMP:** 0°C to 50°C

**STORAGE TEMP:** -40°C to 85°C

### ELECTRICAL

**OPERATING INPUT VOLTAGE RANGE:** 380-400VAC

**OPERATING INPUT VOLTAGE:** 380V 3Φ

### FEATURES

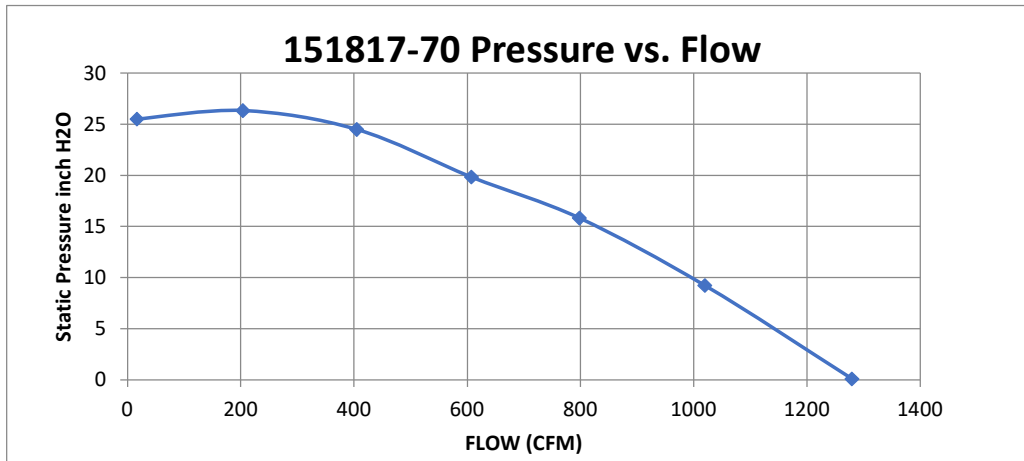
**SPEED CONTROL:** PWM Pulled-Up, Open Loop, 4-Pin Power, 5-Pin Control, 3-Pin Status

### REGULATORY CERTIFICATIONS

**COMPLIANCE:** RoHS and Reach

**FULL LOAD AMPS:** 10A

**REFERENCE:** E-54554

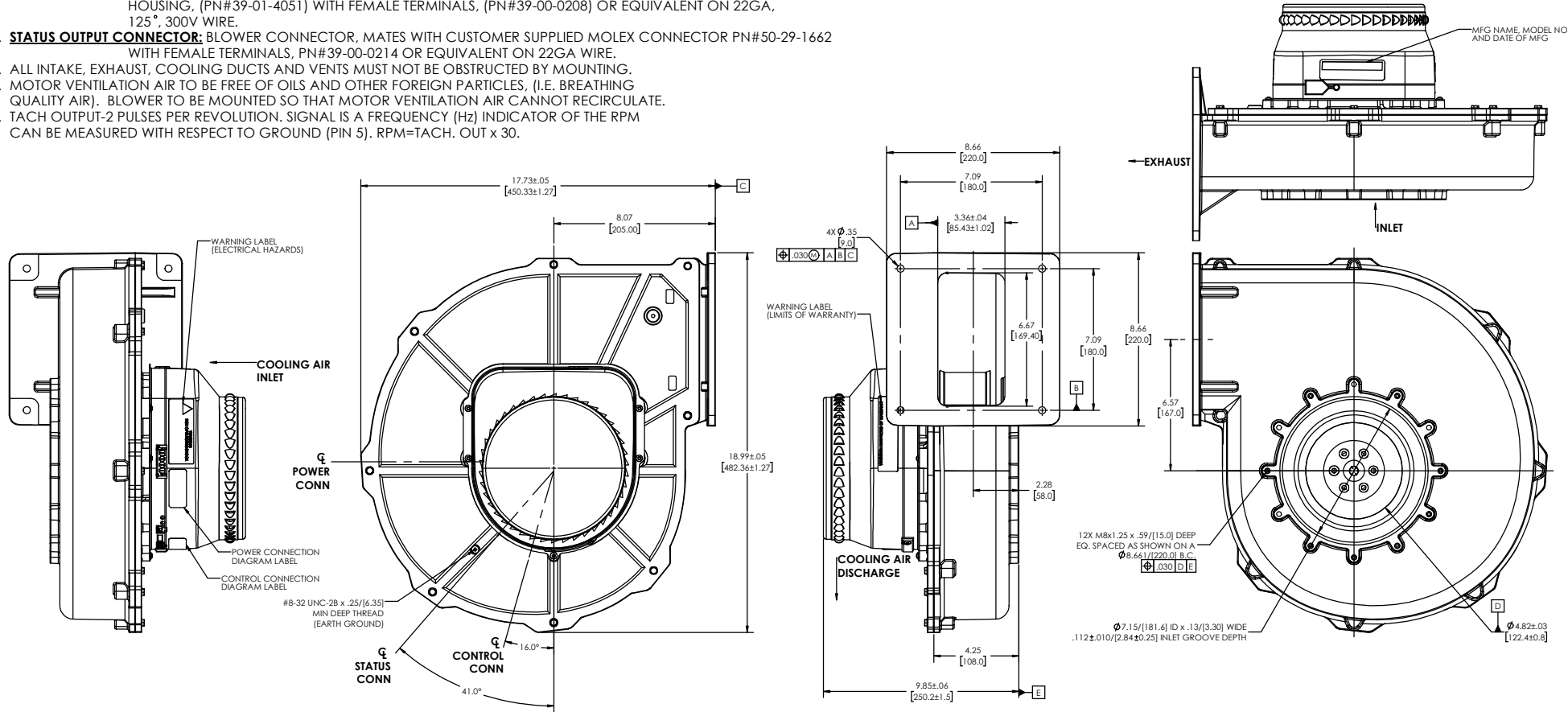


Flow Rate <i>cfm</i>	Static Pressure <i>inch H2O</i>	Current <i>A</i>	Power Demand <i>W</i>	Voltage <i>V</i>	Flow Temperature <i>°C</i>	Rotational Speed <i>rpm</i>	Static Efficiency <i>%</i>
1279.44	0.11	6.30	2537.37	380.45	20.86	6630.00	1
1019.59	9.23	6.95	2829.58	380.41	20.88	6330.00	39
798.00	15.82	6.83	2770.66	380.43	20.90	6390.00	54
607.14	19.84	6.40	2581.04	380.43	20.91	6600.00	55
404.46	24.50	5.84	2323.71	380.45	20.91	6900.00	50
203.90	26.33	4.73	1837.49	380.47	20.91	7050.00	34
16.27	25.50	3.26	1219.27	380.50	20.93	7050.00	4

Performance data is for reference only.

NOTES:

1. ROHS AND REACH COMPLIANCE. REFERENCE AMETEK ENVIRONMENTAL SPECIFICATION ES0010 FOR DETAILS.
2. **POWER CONNECTION:** BLOWER CONNECTOR, MATES WITH CUSTOMER SUPPLIED AMP CONNECTOR PN#350779-1 WITH FEMALE TERMINALS, PN#350536-1 OR EQUIVALENT ON 16GA, 105°C, 600V WIRE.
3. **CONTROL CONNECTION:** BLOWER CONNECTOR, MATES WITH CUSTOMER SUPPLIED MOLEX SERIES 5557 CONNECTOR HOUSING, (PN#39-01-4051) WITH FEMALE TERMINALS, (PN#39-00-0208) OR EQUIVALENT ON 22GA, 125°, 300V WIRE.
4. **STATUS OUTPUT CONNECTOR:** BLOWER CONNECTOR, MATES WITH CUSTOMER SUPPLIED MOLEX CONNECTOR PN#50-29-1662 WITH FEMALE TERMINALS, PN#39-00-0214 OR EQUIVALENT ON 22GA WIRE.
5. ALL INTAKE, EXHAUST, COOLING DUCTS AND VENTS MUST NOT BE OBSTRUCTED BY MOUNTING.
6. MOTOR VENTILATION AIR TO BE FREE OF OILS AND OTHER FOREIGN PARTICLES, (I.E. BREATHING QUALITY AIR). BLOWER TO BE MOUNTED SO THAT MOTOR VENTILATION AIR CANNOT RECIRCULATE.
7. TACH OUTPUT-2 PULSES PER REVOLUTION. SIGNAL IS A FREQUENCY (Hz) INDICATOR OF THE RPM CAN BE MEASURED WITH RESPECT TO GROUND (PIN 5). RPM=TACH. OUT x 30.



**THIS PRODUCT DESIGN HAS BEEN REVIEWED AND IS APPROVED FOR USE IN OUR APPLICATION.**

APPROVED BY: \_\_\_\_\_  
 PRINT NAME: \_\_\_\_\_  
 TITLE: \_\_\_\_\_  
 DATE: \_\_\_\_\_  
 COMPANY: \_\_\_\_\_

POWER CONNECTION			CONTROL CONNECTION			STATUS OUTPUT CONNECTION					
PIN #	CONTROL	DESCRIPTION	COLOR	PIN #	CONTROL	DESCRIPTION	COLOR	PIN #	CONTROL	DESCRIPTION	COLOR
1	INPUT	A/C INPUT	BLACK	1	INPUT	15V-50V (OPTIONAL)	RED	2	COMMON	ISOLATED COMMON	BLACK
2	INPUT	A/C INPUT	BLACK	2	OUTPUT	TACH-OUTPUT	WHITE	2	OUTPUT	OPEN COLLECTOR TRANSISTOR	BLUE
3	INPUT	A/C INPUT	BLACK	3	NOT USED	NOT USED	YELLOW	3	OUTPUT	ISOLATED COMMON	BLACK
4	-	GROUND	GREEN	4	INPUT	PWM (15-30V/11-50KHz)	GREEN				
5	-	GROUND	GREEN	5	INPUT	COMMON	BLACK				